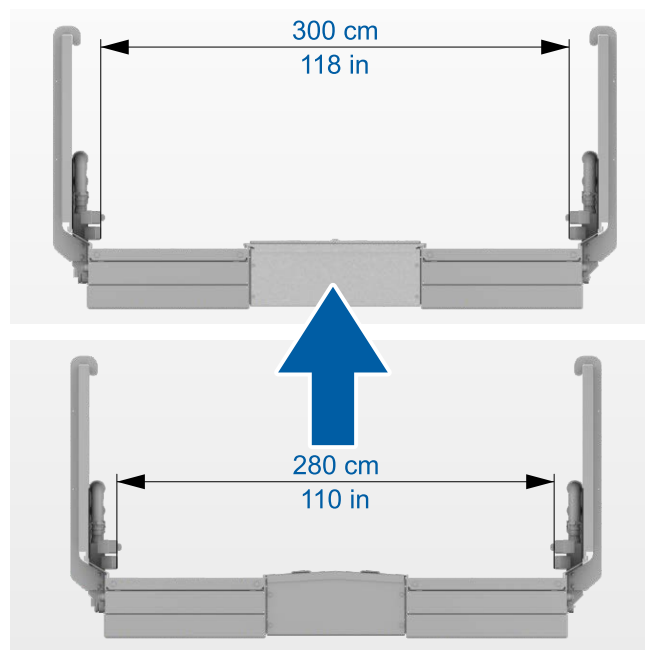


# Increased drive through width (track) to 300 cm

Option Code: [-IDTW-]

Increased drive through width for high vehicle frequencies.

Illustrations may differ from the actual scope of delivery



## Function

A drive through width of 300 cm (standard: 280 cm) allows faster and easier negotiation of the wheel washing system.

Recommended for high vehicle frequencies.

Important: The washing performance suffers when the wheel washing system is driven through too quickly.

## Technical description

Hot-dip galvanised connecting and cover plates in a special solid design. Return channel and hose connection in longer version.

## Specifications

- Drive through width 300 cm

### Cover plates

- Reinforced version
- Material Hot-dip galvanised steel

### Return channel, connecting plates

- Extended version
- Material Hot-dip galvanised steel

## General scope of supply

- Widened cover plates in a special solid design
- Extended connecting plates
- Extended return channel
- Longer hose connection