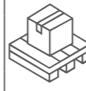


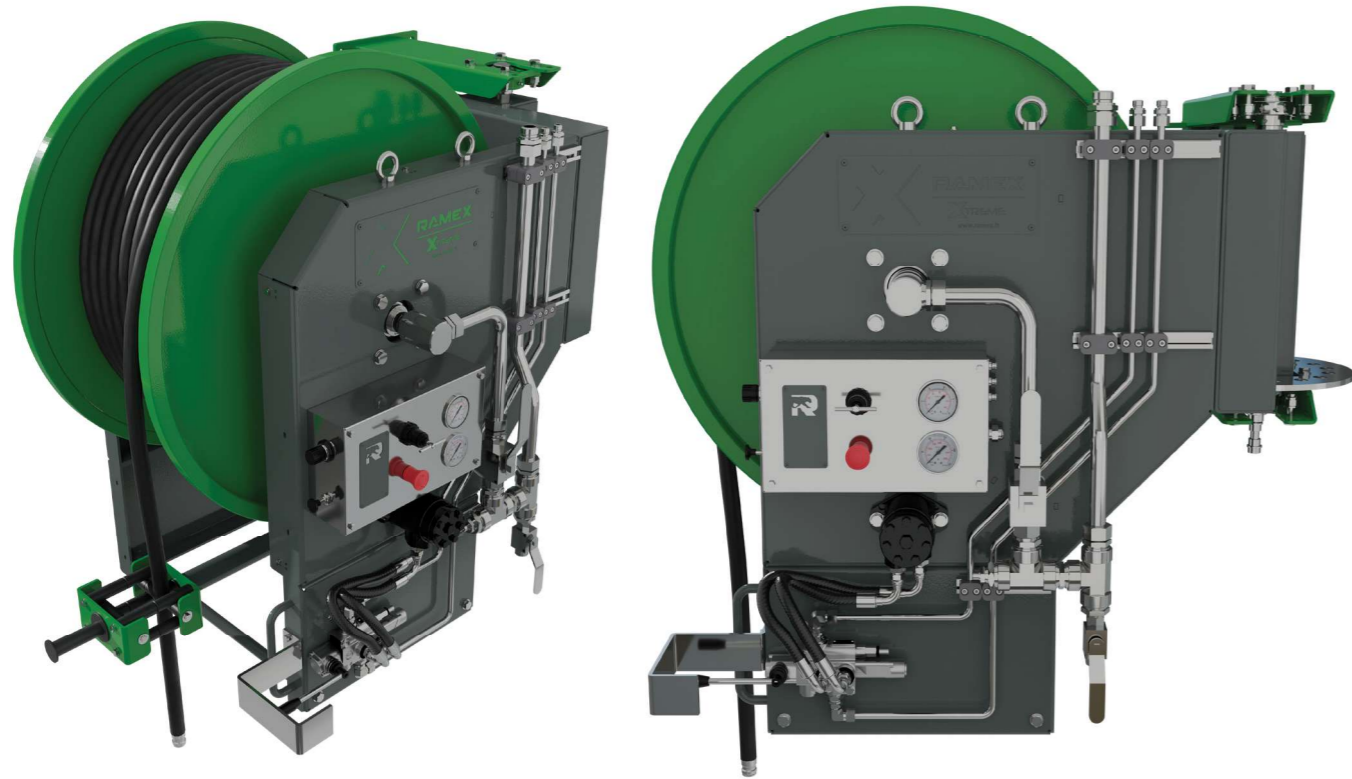
SJHB 30940



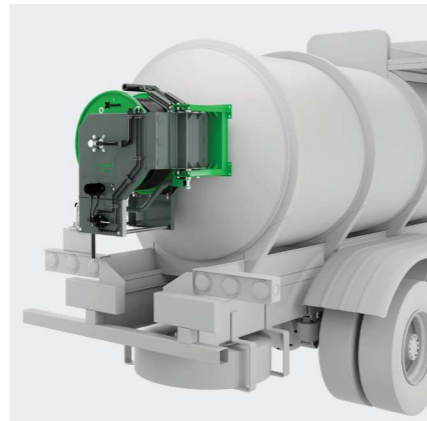
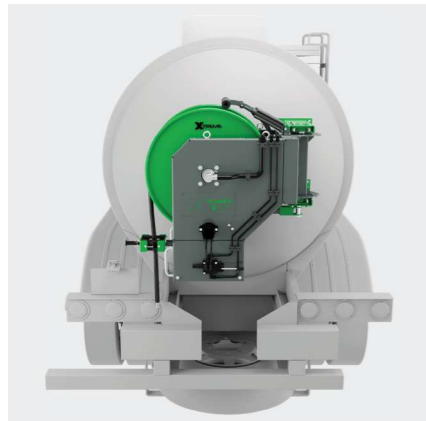
*std: standard

MATERIALS	
AISI 304	Stainless steel
FE	Powder coating steel

	BOX DIMENSIONS	100x130x140h cm / 39x51x55h in
	WEIGHT WITHOUT BOX	300 Kg / 661 Lb
	WEIGHT WITH BOX	400 Kg / 882 Lb






APPLICATIONS




DIAMETER	MAX PRESSURE (bar / psi)	MATERIAL	MAX TEMPERATURE (°C / °F)	MAX HOSE LENGTH (m / ft)	STANDARD CODE
3/4"	250 / 3626	AISI 304 FE (std*)	100 / 212	200 / 656	SJHB 30940
1"	5 rpm @ 110 bar / 1595 psi			120 / 394	

ACCESSORIES INCLUDED

GALVANIZED SWIVEL JOINT 3/4" 90° WITH FKM SEALS	MANUAL SWIVEL BRACKET
	LEFT SIDE rest condition standard Maximum swing angle 180°C / 356°F (90°C / 194°F per side)
MANUAL HOSE DRIVER	CONTROL PANEL
	

AVAILABLE OPTIONAL KIT

KIT HO 30	KIT BP 30
 Powder-coated motorized (hydraulic driven) system for swivel bracket	 Powder-coated pneumatic locking system. Add-on device, piping and controls not included
KIT HD 30	KIT PH 30
 Powder-coated Automatic hose guide/hose driver - complete set. Add-on device. RAMEX PATENTED DEVICE	 Powder-coated hose pusher systems - complete set - Add-on device
MR. FLUID	
	ELECTRONIC CONTROL "MrFluid" Xtremmanagement system CONTROLDEVICE

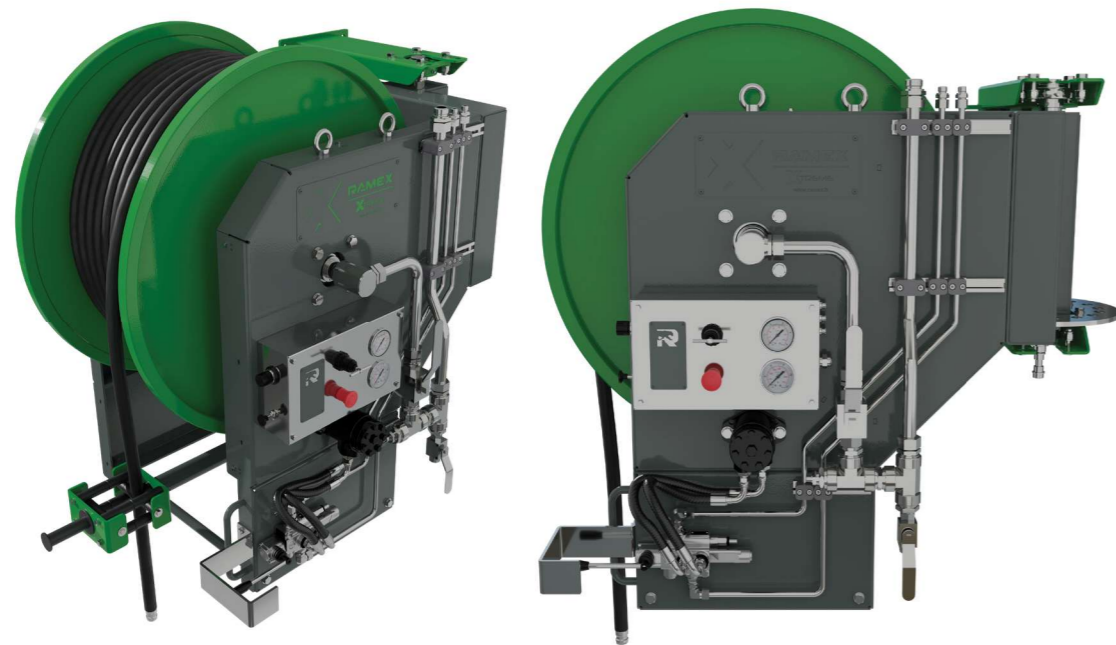
SJHB 40940



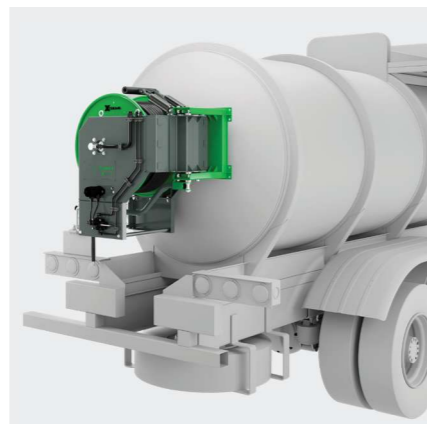
*std: standard

MATERIALS	
AISI 304	Stainless steel
FE	Powder coating steel

	BOX DIMENSIONS	80x100x100h cm / 31x39x39h in
	WEIGHT WITHOUT BOX	200 Kg / 441 Lb
	WEIGHT WITH BOX	250 Kg / 551 Lb



APPLICATIONS



DIAMETER	MAX PRESSURE (bar / psi)	MATERIAL	MAX TEMPERATURE (°C / °F)	MAX HOSE LENGTH (m / ft)	STANDARD CODE
1/2"	250 / 3626	AISI 304 FE (std*)	100 / 212	80 / 272	SJHB 40940
3/4"	5 rpm @ 110 bar / 1595 psi			100 / 328	

ACCESSORIES INCLUDED

GALVANIZED SWIVEL JOINT 3/4" 90° WITH FKM SEALS	MANUAL SWIVEL BRACKET
	LEFT SIDE rest condition standard Maximum swing angle 180°C / 356°F (90°C / 194°F per side)
MANUAL HOSE DRIVER	CONTROL PANEL

AVAILABLE OPTIONAL KIT

KIT HO 30	KIT BP 30
Powder-coated motorized (hydraulic driven) system for swivel bracket	Powder-coated pneumatic locking system. Add-on device, piping and controls not included
KIT HD 30	KIT PH 30
Powder-coated Automatic hose guide/hose driver - complete set. Add-on device. RAMEX PATENTED DEVICE	Powder-coated hose pusher systems - complete set - Add-on device
MR. FLUID	
	ELECTRONIC CONTROL "MrFluid" Xtremmanagement system CONTROLDEVICE

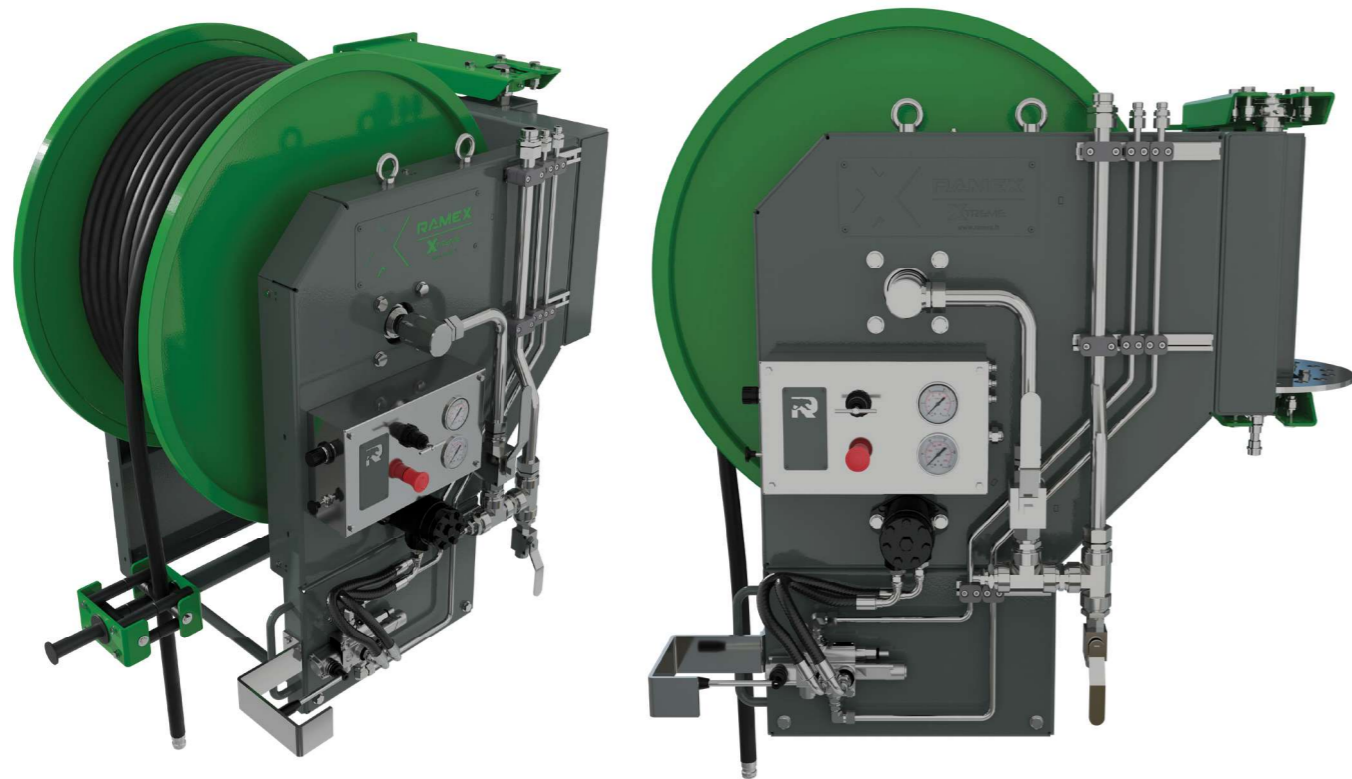
SJHF 30940

HOSE NOT INCLUDED
 Control system NOT INCLUDED
 HYDRAULIC

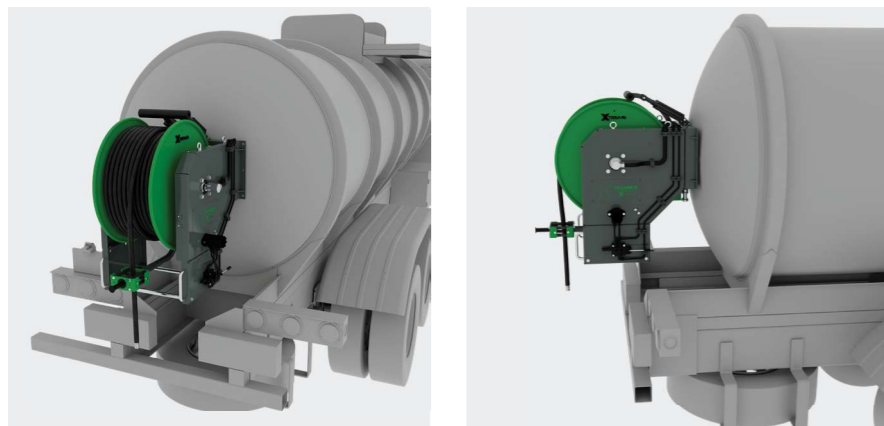
*std: standard

MATERIALS	
AISI 304	Stainless steel
FE	Powder coating steel

	BOX DIMENSIONS	100x130x140h cm / 39x51x55h in
	WEIGHT WITHOUT BOX	300 Kg / 661 Lb
	WEIGHT WITH BOX	400 Kg / 882 Lb



APPLICATIONS



DIAMETER	MAX PRESSURE (bar / psi)	MATERIAL	MAX TEMPERATURE (°C / °F)	MAX HOSE LENGTH (m / ft)	STANDARD CODE
3/4"	250 / 3626	AISI 304 FE (std*)	100 / 212	200 / 656	SJHF 30940
1"	5 rpm @ 110 bar / 1595 psi			120 / 394	

ACCESSORIES INCLUDED

GALVANIZED SWIVEL JOINT 1" 90° WITH FKM SEALS	MANUAL HOSE DRIVER

AVAILABLE OPTIONAL KIT

KIT HD 30	KIT PH 30
<p>Powder-coated Automatic hose guide/hose driver - complete set. Add-on device. RAMEX PATENTED DEVICE</p>	<p>Powder-coated hose pusher systems - complete set - Add-on device</p>
MR. FLUID	CONTROL PANEL
<p>ELECTRONIC CONTROL "MrFluid" Xtremmanagement system CONTROLDEVICE</p>	

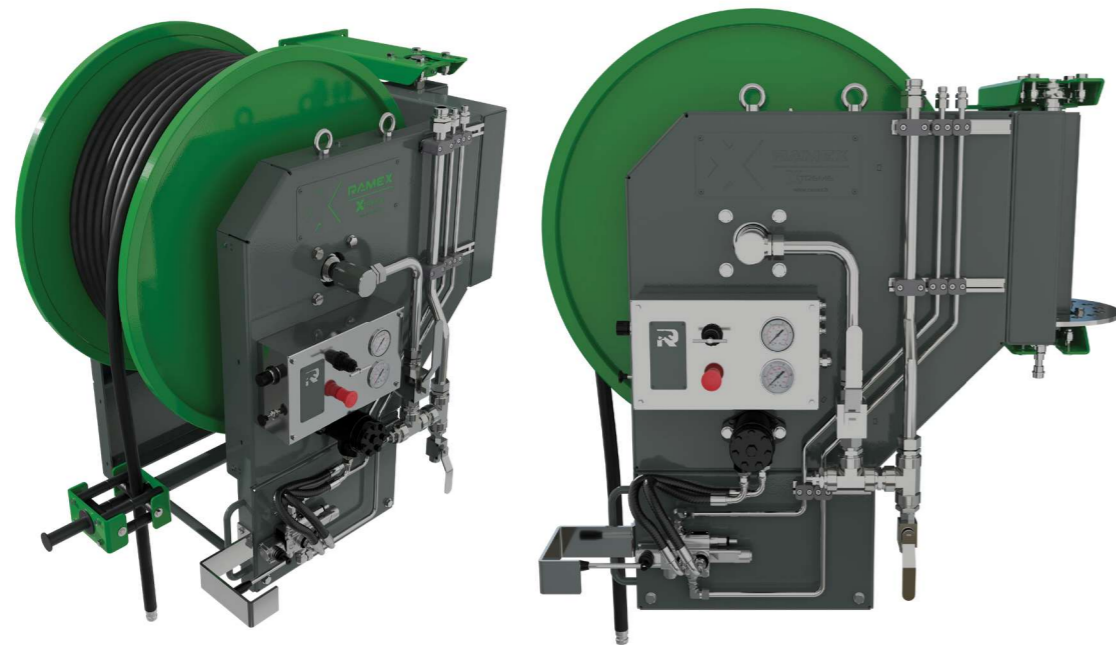
SJHF 40940

HOSE NOT INCLUDED
 Control system NOT INCLUDED
 HYDRAULIC

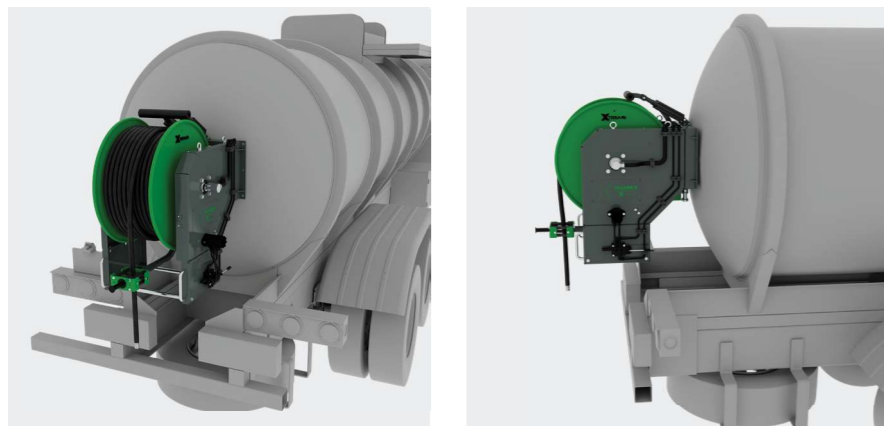
*std: standard

MATERIALS	
AISI 304	Stainless steel
FE	Powder coating steel

	BOX DIMENSIONS	80x100x100h cm / 31x39x39h in
	WEIGHT WITHOUT BOX	200 Kg / 441 Lb
	WEIGHT WITH BOX	250 Kg / 551 Lb



APPLICATIONS



DIAMETER	MAX PRESSURE (bar / psi)	MATERIAL	MAX TEMPERATURE (°C / °F)	MAX HOSE LENGTH (m / ft)	STANDARD CODE
1/2"	250 / 3626	AISI 304 FE (std*)	100 / 212	80 / 272	SJHF 40940
3/4"	5 rpm @ 110 bar / 1595 psi			100 / 328	

ACCESSORIES INCLUDED

GALVANIZED SWIVEL JOINT 3/4" 90° WITH FKM SEALS	MANUAL HOSE DRIVER

AVAILABLE OPTIONAL KIT

KIT HD 30	KIT PH 30
<p>Powder-coated Automatic hose guide/hose driver - complete set. Add-on device. RAMEX PATENTED DEVICE</p>	<p>Powder-coated hose pusher systems - complete set - Add-on device</p>
MR. FLUID	CONTROL PANEL
<p>ELECTRONIC CONTROL "MrFluid" Xtremmanagement system CONTROLDEVICE</p>	

SJLM 50430



*std: standard

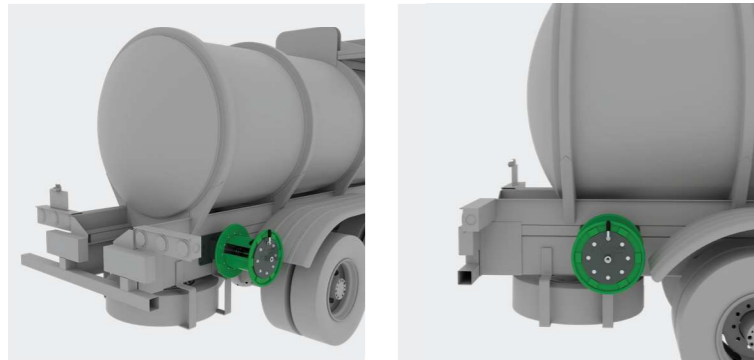
MATERIALS	
AISI 304	Stainless steel
FE	Powder coating steel

BOX DIMENSIONS	500x500x700h cm / 197x197x276h in
WEIGHT WITHOUT BOX	50kg / 110 Lb
WEIGHT WITH BOX	70 Kg / 154 Lb



DIAMETER	MAX PRESSURE (bar / psi)	MATERIAL	MAX TEMPERATURE (°C / °F)	MAX HOSE LENGTH (m / ft)	STANDARD CODE
1/2"	400 / 5801	AISI 304 FE (std*)	140 / 284	50 / 164	SJLM 50430
3/4"	5 rpm @ 150 bar / 2175 psi			30 / 98	

APPLICATIONS



ACCESSORIES INCLUDED

GALVANIZED SWIVEL JOINT 1/2" 90°	MANUAL LOCKING SYSTEM
	MANUAL LOCKING SYSTEM

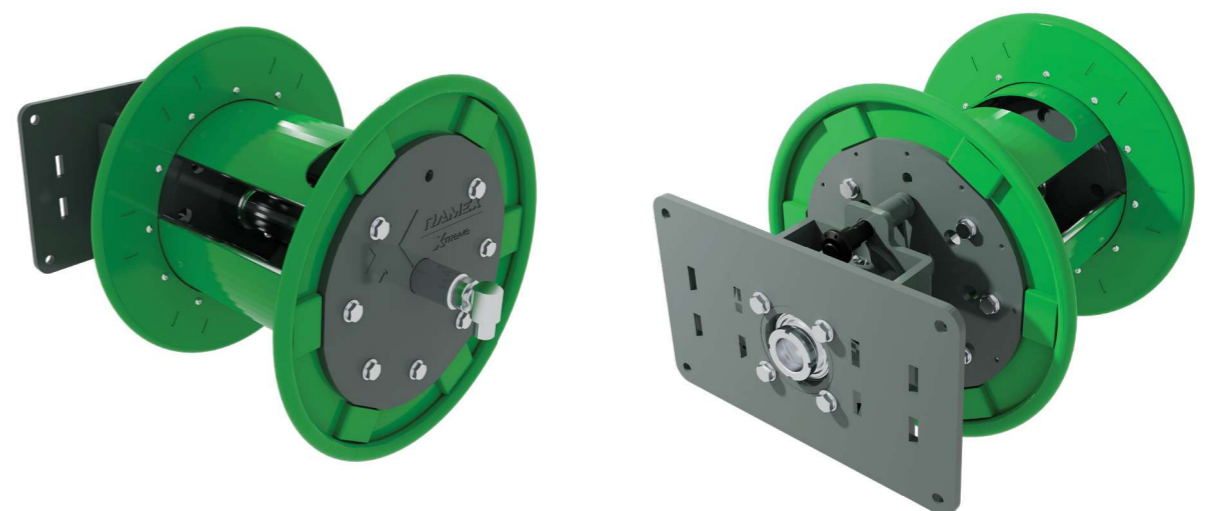
SJLH 50430



*std: standard

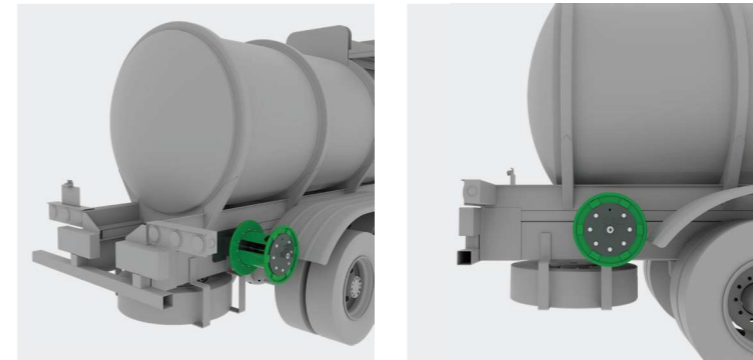
MATERIALS	
AISI 304	Stainless steel
FE	Powder coating steel

BOX DIMENSIONS	500x500x700h cm / 197x197x276h in
WEIGHT WITHOUT BOX	50kg / 110 Lb
WEIGHT WITH BOX	70 Kg / 154 Lb



DIAMETER	MAX PRESSURE (bar / psi)	MATERIAL	MAX TEMPERATURE (°C / °F)	MAX HOSE LENGTH (m / ft)	STANDARD CODE
1/2"	400 / 5801	AISI 304 FE (std*)	140 / 284	50 / 164	SJLH 50430
3/4"	5 rpm @ 150 bar / 2175 psi			30 / 98	

APPLICATIONS



ACCESSORIES INCLUDED

GALVANIZED SWIVEL JOINT 1/2" 90°	MANUAL LOCKING SYSTEM
	MANUAL LOCKING SYSTEM